

Distributed by:



www.Jameco.com ♦ 1-800-831-4242

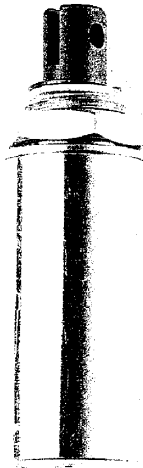
The content and copyrights of the attached material are the property of its owner.

SMT-2551L

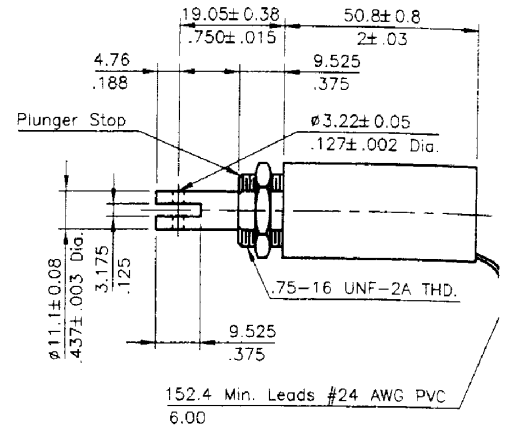
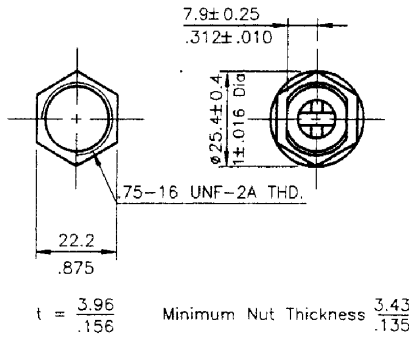
TUBULAR SOLENOID

Jameco Part Number 215141

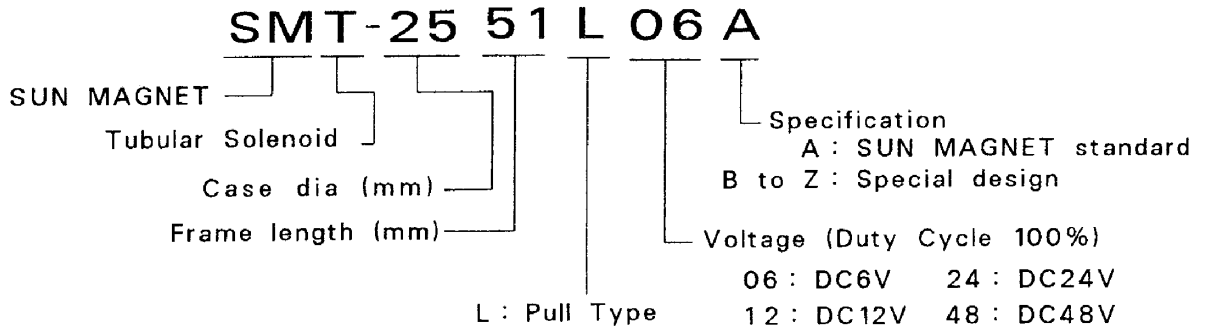
OUTLINE DRAWING UNIT = $\frac{\text{mm}}{\text{inch}}$



SHOWN ENERGIZED
Tolerances (Unless Noted):
Decimals $\pm .005$
Fractions $\pm .010$



ORDERING INFORMATION



PERFORMANCE (at initial value)

Item	Type	SMT-2551L
Insulation grade		Class E (120°C)
Temperature rise		100deg.Max.(at continuous duty.)
Insulation resistance		More than 100M Ω on a DC 500V megger (at normal temperature and normal humidity)
Dielectric strength		AC1000V, 50/60Hz, 1 minute (at normal temperature and normal humidity)
Operating temp. range		-20°C ~ + 40°C
Life expectancy		2,000,000 cycles
Plunger weight		43g/1.52oz
Total weight		178g/6.28oz

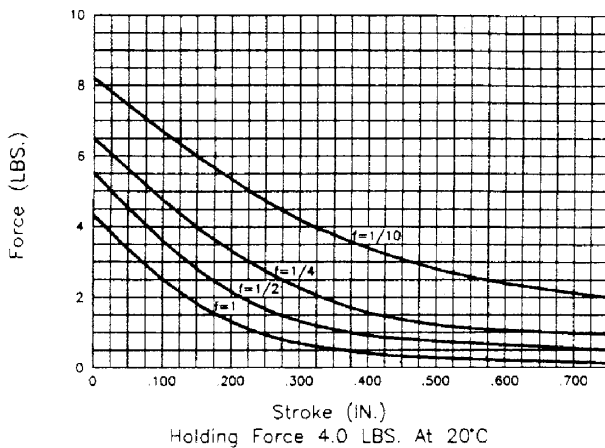
COIL SPECIFICATION (at 20°C)

Coil Sensitivity	Duty Cycle (%)	Nominal Voltage (VDC)	Nominal Current (mA)	Coil Resistance (Ω) \pm 10%	Power Consumption (W)	Ampere Turns (AT)	Maximum "ON" time (SEC)
SMT-2551L06A	100% Continuous	6	1667	3.6	10.0	abt. 1034	∞
	50% or less	8.5	2353		20.0	abt. 1459	360
	25% or less	12	3333		40.0	abt. 2066	32
	10% or less	19	5263		100.0	abt. 3263	8
SMT-2551L12A	100% Continuous	12	833	14.4	10.0	abt. 1041	∞
	50% or less	17	1176		20.0	abt. 1470	360
	25% or less	24	1667		40.0	abt. 2084	32
	10% or less	37.9	2639		100.0	abt. 3299	8
SMT-2551L24A	100% Continuous	24	417	57.6	10.0	abt. 1109	∞
	50% or less	33.9	590		20.0	abt. 1569	360
	25% or less	48	833		40.0	abt. 2216	32
	10% or less	75.9	1318		100.0	abt. 3506	8
SMT-2551L48A	100% Continuous	48	208	230.4	10.0	abt. 1090	∞
	50% or less	67.9	295		20.0	abt. 1541	360
	25% or less	96	417		40.0	abt. 2180	32
	10% or less	151.8	659		100.0	abt. 3447	8

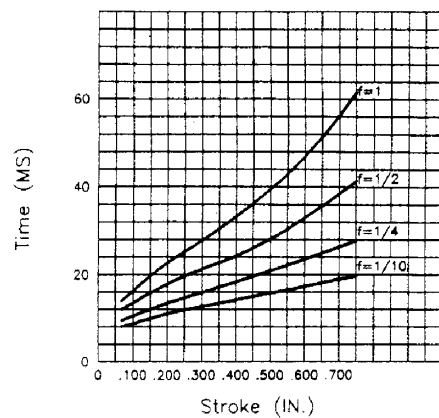
CHARACTERISTICS (Typical data at 20°C)

f=Duty Cycle

Force vs Stroke, Typical, 20°C



Typical Speed No Load, 20°C



To Give You a Low Friction Coefficient and Long Wear the Plungers of Our Solenoids are Electroless Nickel Plated.

